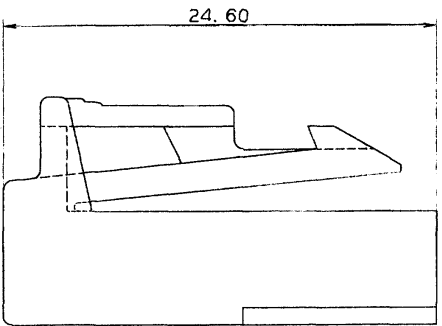
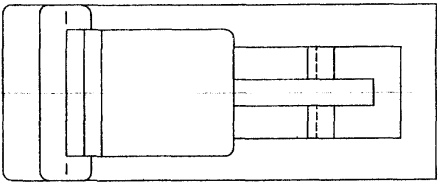
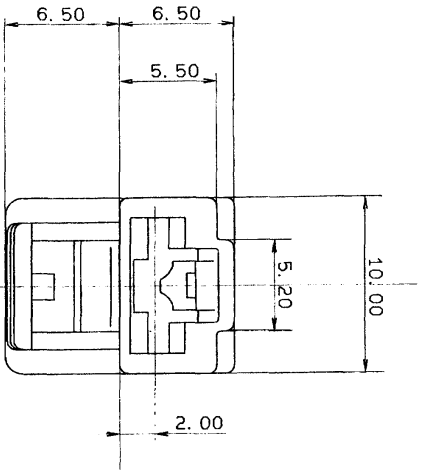


AIR BAG PARTS NO.	PART NO.	COLOR
7823-2815	7123-2815	NATURAL
	7123-2815-30	BLACK
	7123-2815-60	GREEN
	7123-2815-80	BROWN
	7123-2815-70	YELLOW
	7123-2815-90	BLUE



注記
 1) 適合相手品番: 7122-2815 ETC.
 2) 適用端子品番: 7116-2090 ETC.
 -2640 ETC.

NOTES
 1) MATTING PART NO: 7122-2815 ETC.
 2) APPLICABLE TERMINAL NO: 7116-2090 ETC.
 -2640 ETC.

REV.	DATE	CHANGED NOTE	CGI-7238	S.I.
7	91.09.03	CHANGED NOTE		1.1
6	89.02.02	ADDED PART NO.	C89-6203	S.1
5	88.07.07	RENEW AND CHANGED DRAWING	BMC-3008	S.Y
LET	DATE	REVISION RECORD	NO.	CHKD

GENERAL TOLERANCE		ANGLE		ECCENT		WEIGHT	
1.0MAX	±0.15	±0.2	±0.3	±0.5	±0.75	±30°	0.1
1.5MAX	±0.2	±0.3	±0.5	±0.95	±1.4	±30°	0.1
2.0MAX	±0.3	±0.5	±0.8	±1.4	±2	±30°	0.15

CUSTOMER PART NO.	CUSTOMER DWG NO.	MATL. SPEC.	TREAT. & FIN.	ISSUE MARK
OFFICE	STDLIB NO.	NAME		
VENDOR NO.	DWG TYPE	DWG SOURCE	DWG DATE	UNITS
APPROVED	CHECKED	CHECKED	DESIGN	DRAWN
YAMAGATA	IHAMARA			
7123-2815-R	7123-2815-R	7123-2815 ETC.		
YAZAKI CORPORATION				

1 2 3 4 5