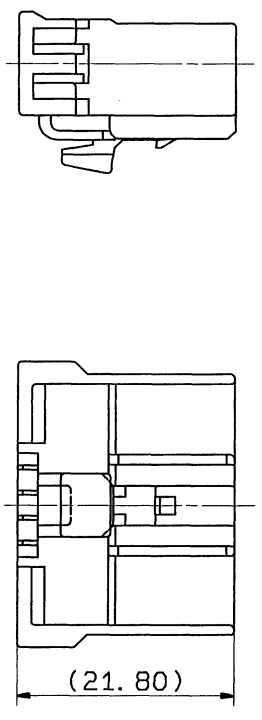
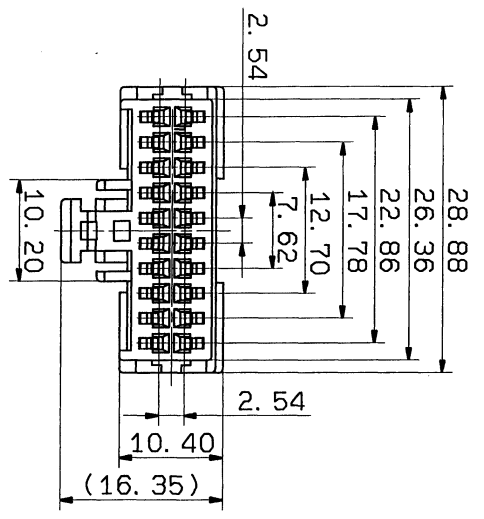


YAZAKI PART NO.	COLOR
7123-1403	NATURAL
7123-1403-30	BLACK



- 注 記
1. 適用端子番: 7116-1261, 7116-1261-08
 2. 適用リヤホルダ番: 7157-6407-70

- NOTE
1. APPLICABLE TERMINAL NO.
: 7116-1261, 7116-1261-08
 2. APPLICABLE REAR HOLDER NO.
: 7157-6407-70

LET DATE		93.04.22		NEW		C93-L483		H. K		CUSTOMER	
REVISION RECORD		NEW		NO.		OFFICE		CHKD		CUSTOMER PART NO.	
GENERAL TOLERANCE		10MAX		50MAX		100MAX		250MAX		250OVR	
A		±0.15		±0.2		±0.3		±0.5		±0.75	
B		±0.2		±0.3		±0.55		±0.95		±1.4	
C		±0.3		±0.5		±0.8		±1.4		±2	
SPECIFIED		±30°		±30°		±30°		±30°		0.15	
MASS		1		9		1		9		1	
CUSTOMER		CUSTOMER PART NO.		CUSTOMER DWG NO.		TRIAL PART NO.		MATERIAL SPEC.		PBT	
OFFICE		VENDOR		VENDOR NO.		DWG TYPE		DWG SOURCE		DWG DATE	
NEW		R		NEW		93.04.22		mm		2/1	
APPROVED		CHECKED		CHECKED		DESIGN		DRAWN		ANGLE	
石井		石井		石井		石井		石井		3	
93.5.6		93.5.6		93.5.6		93.5.6		93.5.6		93.5.6	
YAZAKI CORPORATION		PART NO.		7123-1403 ETC.		PART NO.		7123-1403 R		YAZAKI CORPORATION	
SP 20P FEMALE HOUSING 2		TREAT. & FIN.		ISSUE MARK							

