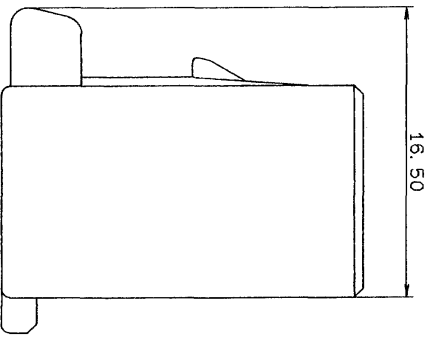
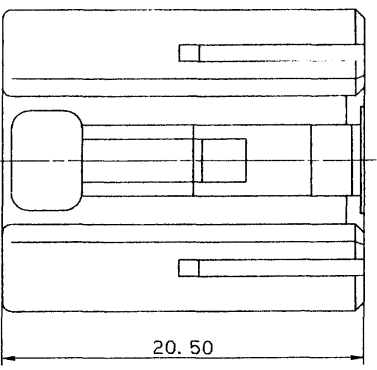
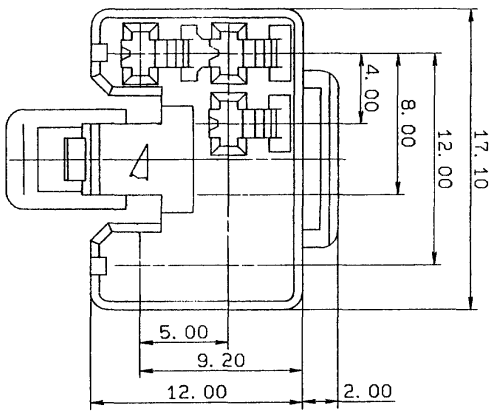


| YAZAKI NO. | COLOR |
|--------------|------------|
| 7123-1360 | NATURAL |
| 7123-1360-30 | BLACK |
| 7123-1360-40 | LIGHT GRAY |
| 7123-1360-50 | ORANGE |
| 7123-1360-60 | GREEN |
| 7123-1360-70 | YELLOW |
| 7123-1360-80 | BROWN |
| 7123-1360-90 | BLUE |
| 7123-1360-10 | DARK GRAY |



- 注 記
1. 被合特产品番: 7122-1360 ETC.
 2. 適用端子番: 7116-1180 ETC.

- NOTES
1. MATING PART NO.: 7122-1360N ETC.
 2. APPLICABLE TERMINAL NO.: 7116-1180 ETC.

| REV. | DATE | REVISION RECORD | NO. | CHKD |
|----------|------|-----------------|-----------|------|
| 89.04.08 | | CHANGED COLOR | G89-6538 | H. Y |
| 89.01.08 | | ADDED PART NO. | BMC-04510 | H. Y |
| 88.07.07 | | NEW | BMC-3005 | S. Y |

| GENERAL TOLERANCE | | | | | | | | | | | |
|-------------------|--------|--------|---------|--------|--------|--------|--|--|--|--|--|
| 10MAX | 150MAX | 100MAX | 1250MAX | 2500VR | ANGLE | ECCENT | | | | | |
| ±0.15 | ±0.2 | ±0.3 | ±0.5 | ±0.75 | ±30 | 0.1 | | | | | |
| ±0.2 | ±0.3 | ±0.35 | ±0.5 | ±1.4 | ±30 | 0.1 | | | | | |
| ±0.3 | ±0.5 | ±0.8 | ±1.4 | ±2 | ±30 | 0.15 | | | | | |
| | | | | | WEIGHT | 2.2 g | | | | | |

| | | | |
|--------------------|--------------------|----------------------------------|--------------------|
| CUSTOMER PART NO. | CUSTOMER DWG NO. | MATL. | TREAT. |
| | | NYLON | & FIN. |
| OFFICE | STDLIB NO. | SPEC. NAME 6P 090 FEMALE HOUSING | |
| VENDOR NO. | | PART NO. 7123-1360 ETC. | |
| DWG. TYPE | DWG. SOURCE | DWG. DATE/UNIT | SCL. ANGLE |
| R | NEW | 88.06.16/MTI | 5/1 3 |
| APPROVED | CHECKED | DESIGN | DRAWN |
| <i>[Signature]</i> | <i>[Signature]</i> | KANEKO | <i>[Signature]</i> |
| 88.04.22 | 89.04.22 | 82.04.20 | 89.04.13 |
| 3 | 4 | 5 | |
| YAZAKI CORPORATION | | TRIAL PART NO. | |