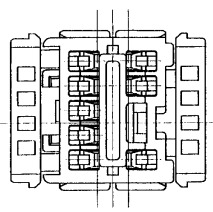
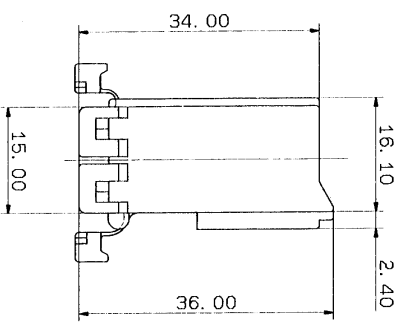
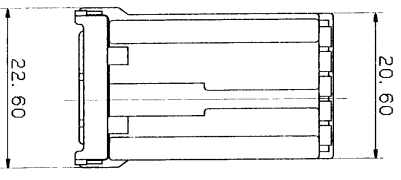
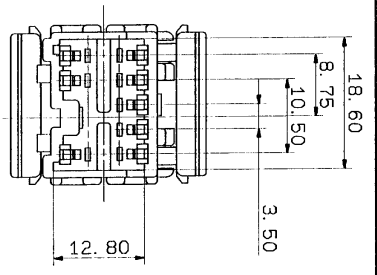


YAZAKI PART NO.	COLOR
7122-8386	NATURAL
7122-8386-30	BLACK
7122-8386-70	YELLOW



- 送品
- 1. 総組立品: 7123-8386 ETC.
  - 2. 番付子-子母組立: 7114-1470, 7114-1470-08, 7114-1475, 7114-1475-08

NOTE

- 1. MATCHING HOUSING NO.: 7123-8386 ETC.
- 2. MATCHING TERMINAL NO.: 7114-1470, 7114-1470-08, 7114-1475, 7114-1475-08.

REV.	DATE	REVISION RECORD	NO.	CHKD
Δ	92.11.18	ADDED PART NO.	C92-6984	K.S
Δ	92.07.23	RENEW	C92-6711	A.H
LET				

GENERAL TOLERANCE		ANGLE		ECCENT	
A	±0.15	±0.2	±0.3	±0.5	±0.1
B	±0.2	±0.3	±0.5	±1.4	±0.1
C	±0.3	±0.5	±1.4	±2	±0.15
SPECIFIED		MASS			

CUSTOMER PART NO.	CUSTOMER DWG NO.	MATL. P. B. T	TREAT. & FIN.	ISSUE MARK
OFFICE		NAME		
VENDOR NO.		SDL TYPE CONNECTOR		
DWG. TYPE		HOUSING 8P MALE		
DWG. SOURCE		DWG. NO.		
N E W		7122-8386 ETC		
APPROVED		DESIGN		
CHECKED		DRAWN		
H. SAITOH		7122-8386:R		
92.11.10		YAZAKI CORPORATION		

1

2

3

4

5