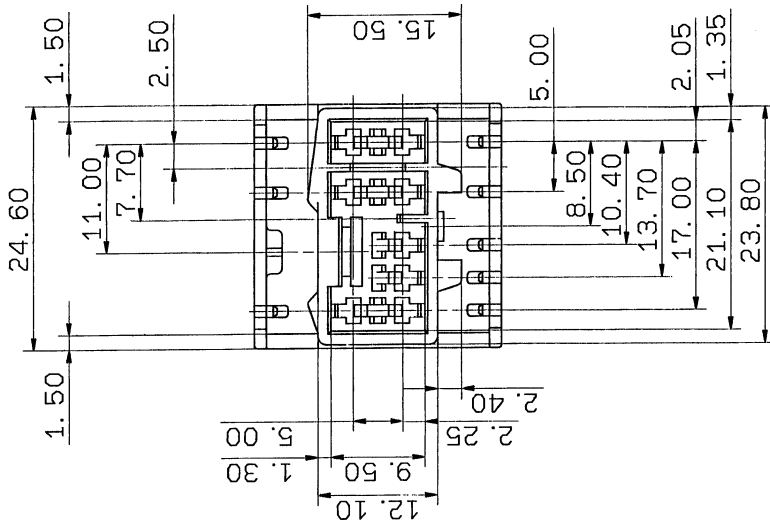
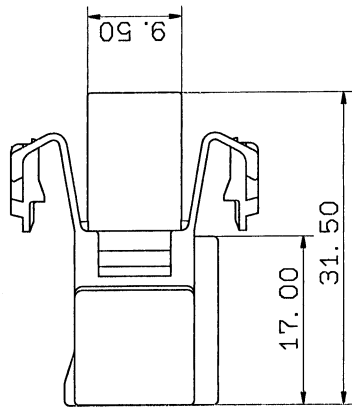
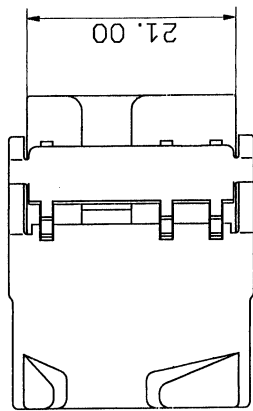


3

2

1



NOTES

- 1) MATING HOUSING NO. :7123-7880
- 2) MATING TERMINAL NO. :7114-1300 etc.

注記

- 1) 嵌合相手品番: 7123-7880
- 2) 使用端子品番: 7114-1300 etc.

B

A

MATERIAL SPEC.		PBT(NATURAL)		TREAT. & FIN.	
NAME		C-TYPE CONNECTOR HOUSING 8PM(W)			
PART NO.		7122-7880			
DWG NO.		7122-1880:R			
TRIAL PART NO.		YAZAKI CORPORATION			
CUSTOMER PART NO.		CUSTOMER DWG NO.			
OFFICE		STD LIB NO.			
VENDOR		VENDOR NO.			
DWG TYPE		DWG SOURCE		DWG DATE	
R		NEW		88.09.23	
APPROVED		CHECKED		DESIGN	
[Signature]		[Signature]		阿部 阿部	
88.09.27		88.9.27		88.09.23	
ECCENT		ANGLE		SCL	
0.1		±30°		2/1	
0.1		±30°		3	
0.15		±30°		DRAWN	
WEIGHT		9			
SPECIFIED		1			
REVISION RECORD		2			
LET DATE		3			
NO.		88.09.23			
CHKD		[Signature]			
BMC-1196		[Signature]			
K. A		[Signature]			
COBMW		[Signature]			
ISSUE MARK		[Signature]			

B

A