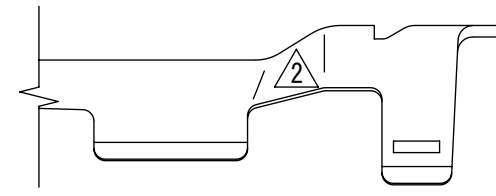


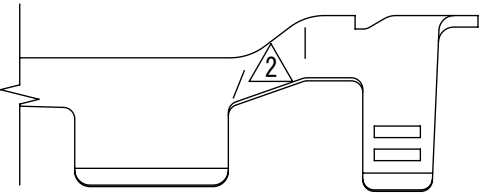
APPLICABLE WIRE GRIP SIZE IDENTIFICATION

(5/1)



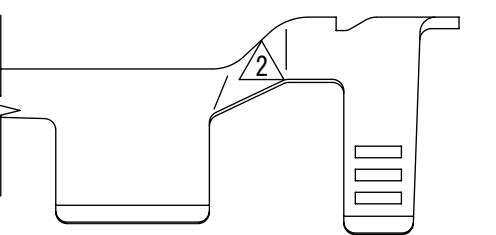
7116-4150-02

(5/1)



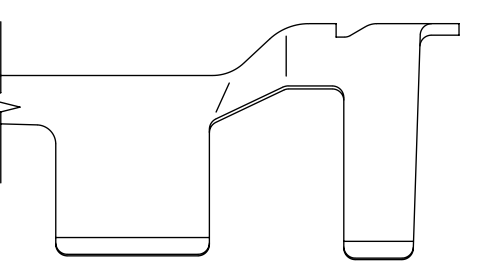
7116-4151-02

(5/1)



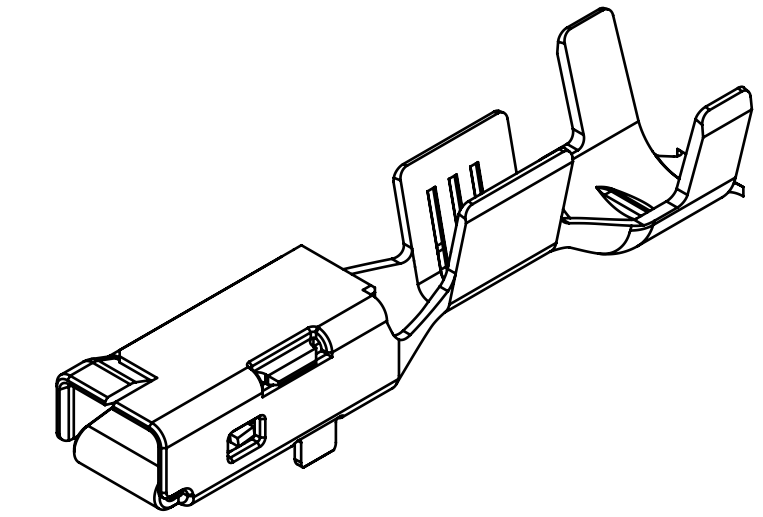
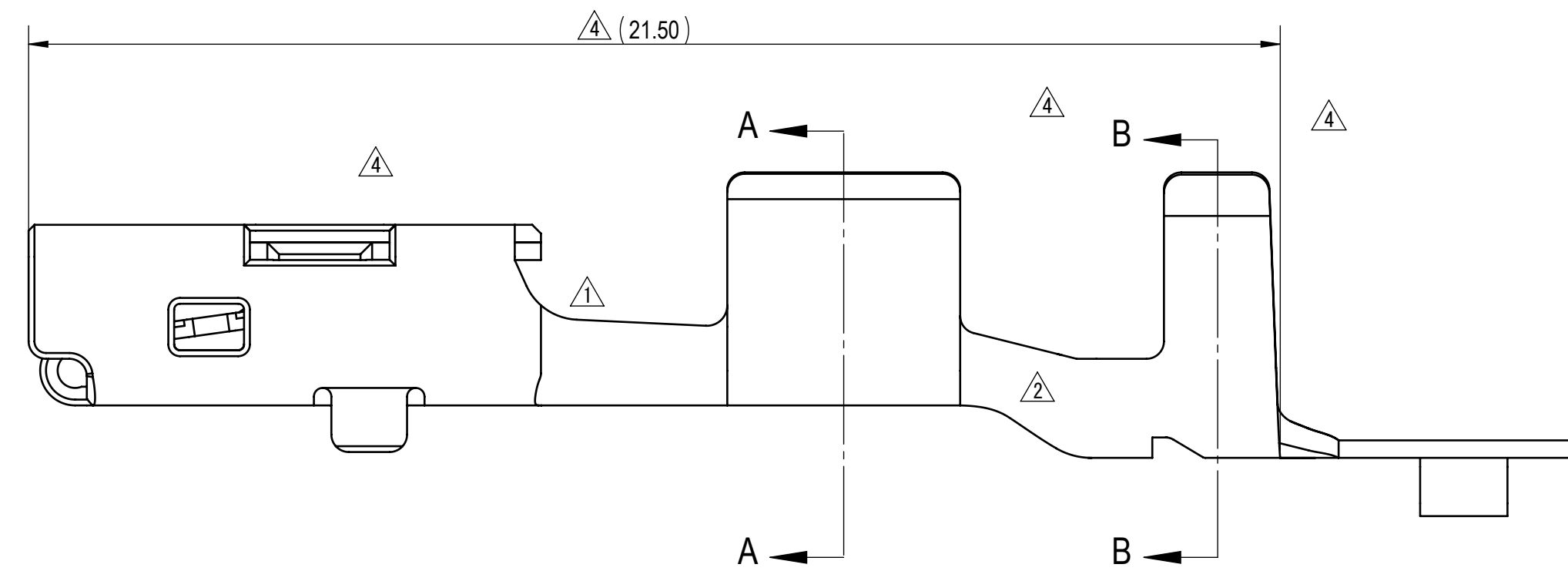
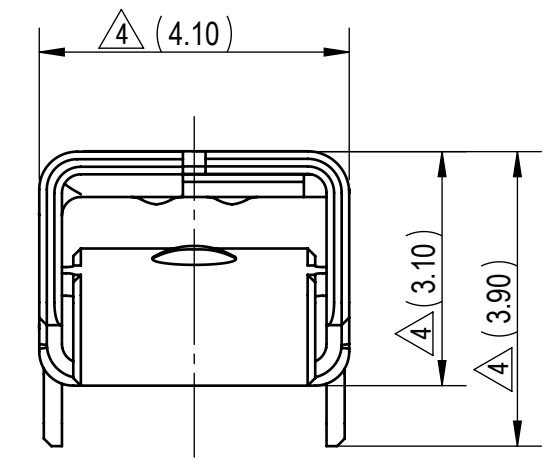
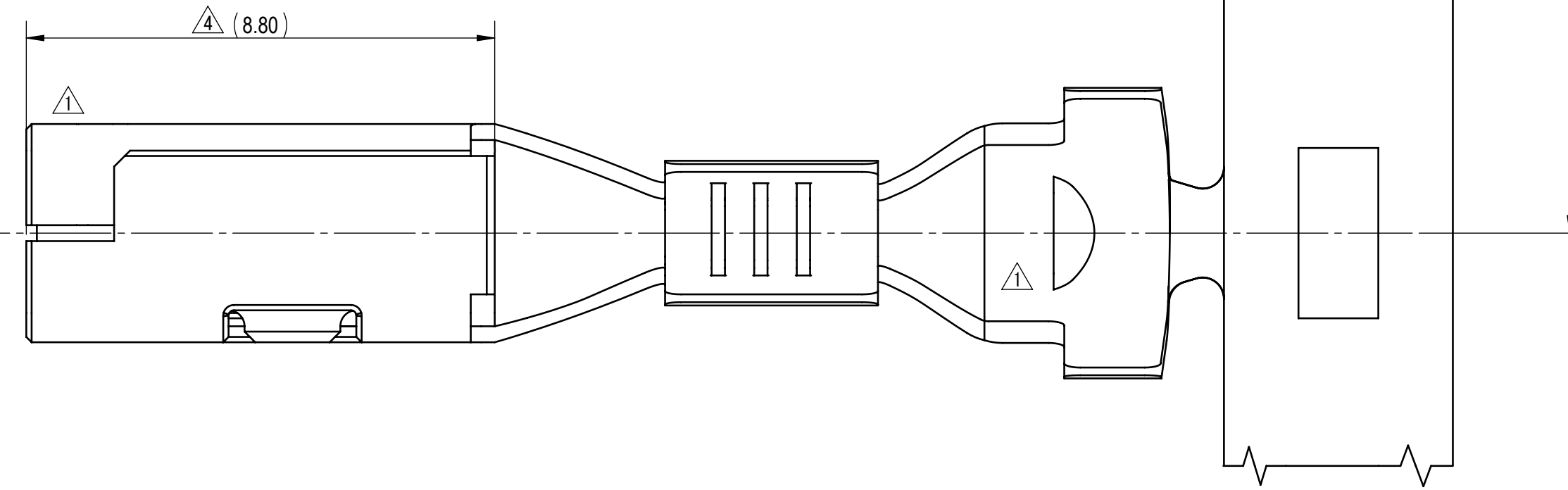
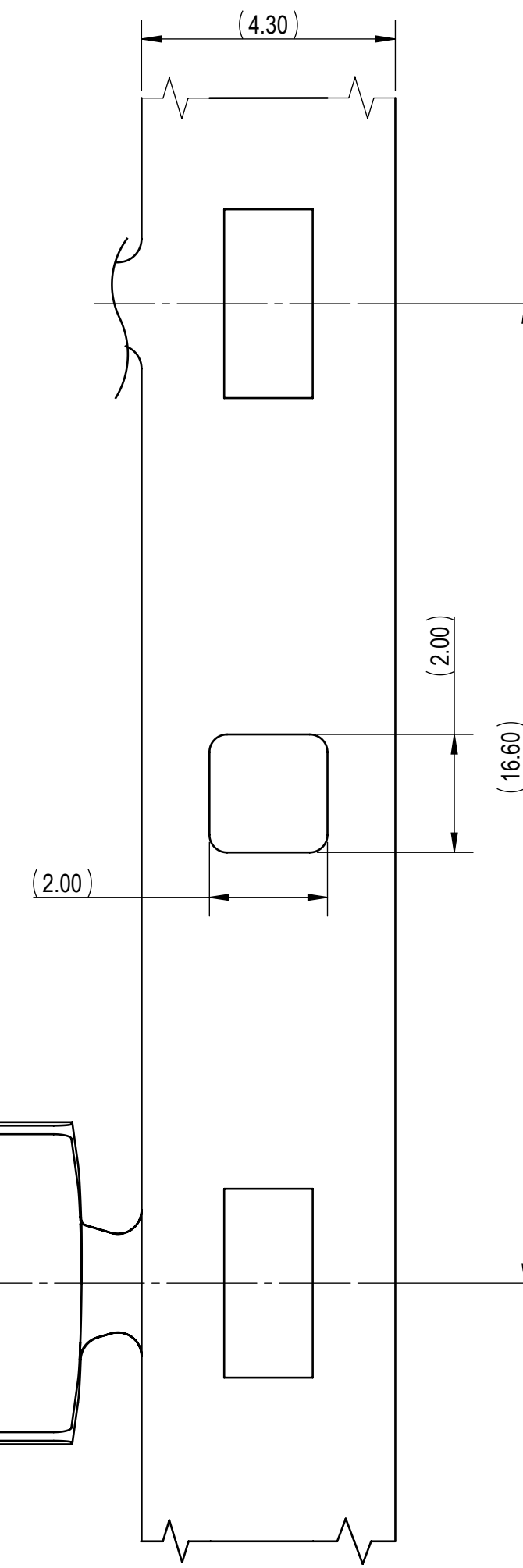
7116-4152-02

(5/1)

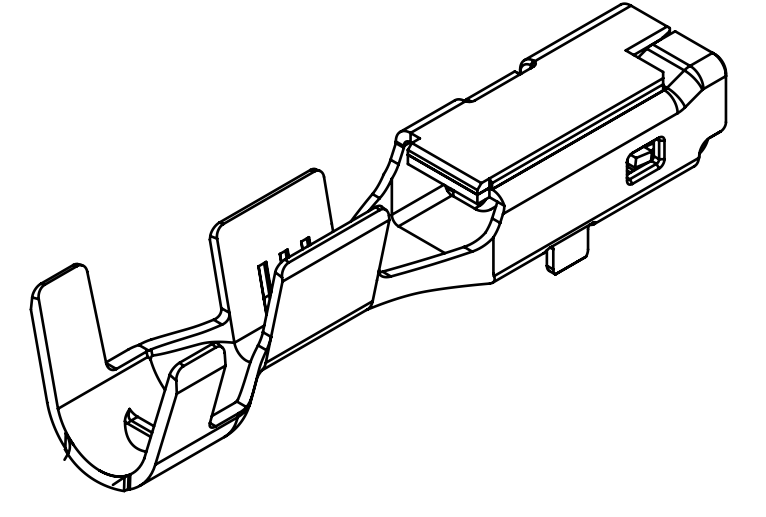


7116-4153-02

PART NUMBER	APPLICABLE WIRE SIZE (SINGLE CRIMP)	GRIP DIMENSIONS		MASS (g)
	METRIC (mm ²)	W ₁	W ₂	
7116-4150-02, [A]	0.3-0.6 OR EQUIVALENT	2.30	5.05	(0.55)
7116-4151-02, [A]	0.75-1.4 OR EQUIVALENT	3.00	5.60	(0.58)
7116-4152-02, [A]	1.5-2.5 OR EQUIVALENT	3.70	6.55	(0.61)
7116-4153-02, [A]	3.0-4.0	4.30	6.80	(0.63)



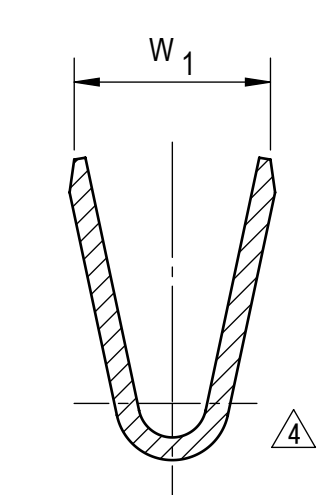
FRONT ISOMETRIC VIEW (5/1)



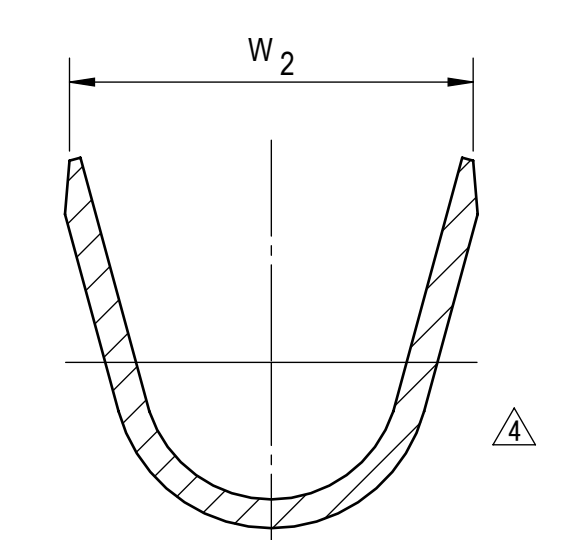
REAR ISOMETRIC VIEW (5/1)

NOTES:

- PARTS MUST BE PURCHASED FROM YAZAKI.
- PARTS MUST BE FREE OF BURRS AND SHARP EDGES THAT MAY BE DETRIMENTAL TO SATISFACTORY ASSEMBLY, SAFE HANDLING OR FUNCTION OF THE PART.
- MATERIAL: COPPER ALLOY.
- PLATING: TIN (Sn) PLATED.
- MATING PART NUMBER: SEE 7114-4150-02:R DRAWING.
- APPLICABLE WIRE SEAL: SEE 7158-3111-60:R DRAWING. SEE 7172-5734-80:R DRAWING.
- PART TO COMPLY WITH YPES-31-038 REQUIREMENTS
- THIS DRAWING IS TO BE USED FOR INTERNAL YAZAKI PSW SUBMISSION.



SECTION A-A



SECTION B-B

REV	DATE	REVISION RECORD	NO.	CHKD
[A]	08-15-2023	REVISED TERMINAL WEIGHT	C23-A602	E.T
[A]	01-22-2021	REDRAWN, ADDED WIRE SIZE & REVISED NOTES	C21-A079	M.S
[A]	07-10-2003	CHANGED WIRE SIZE	C03-X452	K.O
[A]	10-21-1999	ADDED PART NUMBER & CHANGED FORM, ETC.	C99-M582	M.K
[A]	04-15-1997	CHANGED FORM. [A]	C97-L641	H.K
-	02-21-1997	NEW	C97-L107	Y.U

GENERAL TOLERANCE											
	10MAX	50MAX	100MAX	250MAX	250OVR	R5 MAX	R10 MAX	R20 MAX	R20 OVR	ANGLE	ECCENT
A	±0.15	±0.20	±0.30	±0.50	±0.75					±3°	0.1
B	±0.20	±0.30	±0.55	±0.95	±1.40	±0.20	±0.30	±0.50	±2.50	±3°	0.15
Ⓢ	±0.30	±0.50	±0.80	±1.40	±2.00						

CUSTOMER		CUSTOMER DWG. NO.		MTRL SPEC.		TREAT. & FIN.	
CUSTOMER PART NO.		CUSTOMER DWG. NO.		SEE NOTES		SEE NOTES	
OFFICE YNA		TRIAL PART NO.		NAME			
VENDOR		VENDOR NO.		2.8mm SYSTEM SEALED CONNECTOR			
				FEMALE TERMINAL			
				PART NO. 7116-4150-02, ETC.			
				DWG NO. 7116-4150-02:R			
				YAZAKI CORPORATION			
				Y. UCHIDA		ERICK TREVIZO	
				05-31-1996		08-16-2023	

ISSUE MARK