

3

2

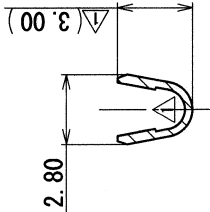
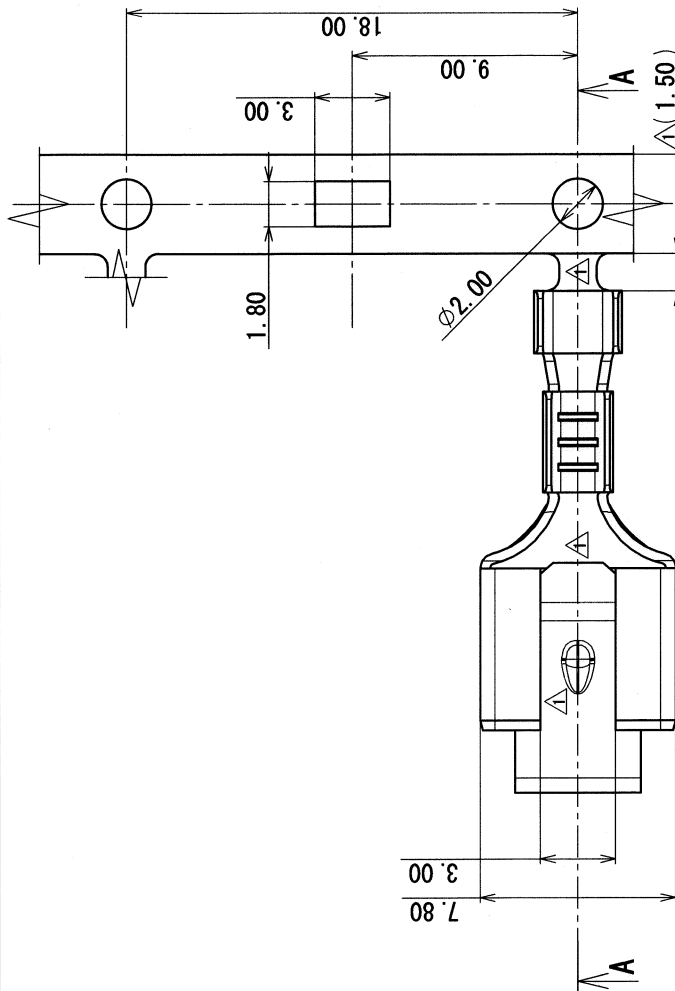
1

注記

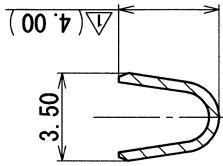
1. 適用電線はAV-0.3~0.5とする。

△ NOTE

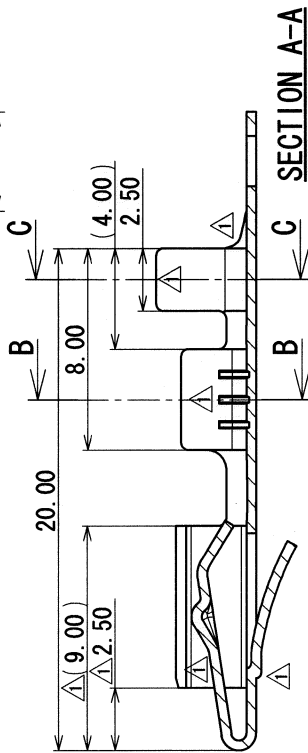
1. APPLICABLE WIRE SIZE IS AV-0.3~0.5.



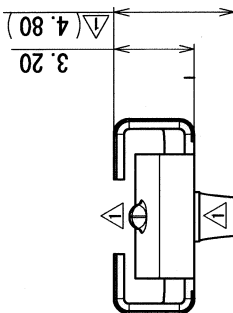
SECTION B-B



SECTION C-C



SECTION A-A



A

B

CUSTOMER		CUSTOMER PART NO.		CUSTOMER DWG. NO.		MATERIAL SPEC.		TREAT. & FIN.		ISSUE MARK	
CHANGED FORM, ETC.		C06-Z099		T. E		BRASS (t=0.4)		GLOSS TIN PLATING			
NEW		C78-0535		矢部		CONNECTOR PLATE TERMINAL No. 1					
REVISION RECORD		NO.		CHKD		FEMALE					
GENERAL TOLERANCE		DATE		APPROVED		DRAWN		PART NO.		SET DWG. NO.	
10MAX	50MAX	100MAX	2500VR	DWG. TYPE	DWG. SOURCE	DWG. DATE	UNIT	SCL	ANGLE	7116-2035-02	
±0.15	±0.2	±0.3	±0.5	R	NEW	78/10/10	mm	5:1	3		
±0.2	±0.3	±0.55	±0.95	APPROVED	T. M/VA	T. ENJO	DESIGN	O. DAR		7116-2035-02:R	
±0.3	±0.5	±0.8	±1.4	CHKD	06.01.23	06/01/23	YABE	06/01/23			
SPECIFIED		MASS		8		78/10/10		06/01/23		YAZAKI CORPORATION	

3

2

1