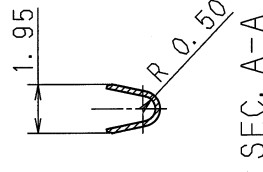
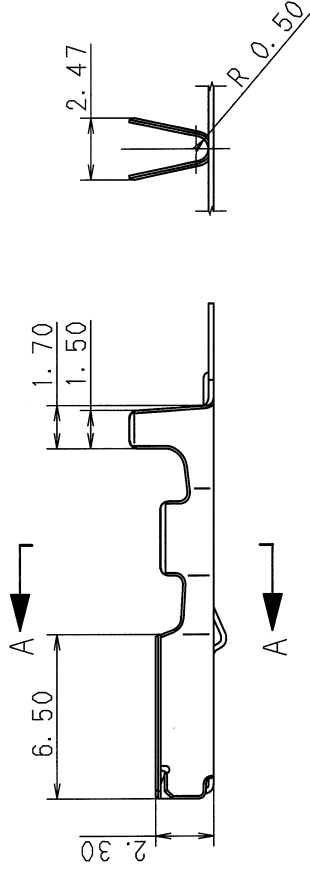
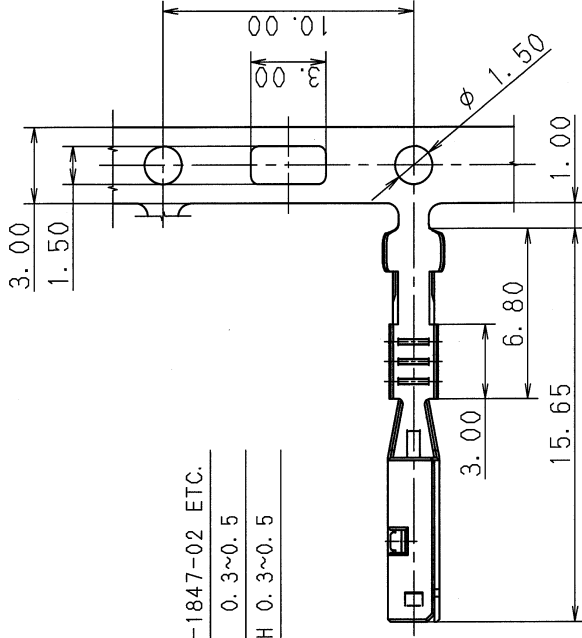


1 2 3

- 注記
- 1. 嵌合端子品番 : 7114-1847-02 ETC.
 - 2. 適用電線サイズ : CAVS 0.3~0.5
AVSSH 0.3~0.5

NOTES

- 1. MATING MALE TERMINAL NO. : 7114-1847-02 ETC.
- 2. APPLICABLE WIRE SIZE : CAVS 0.3~0.5
AVSSH 0.3~0.5



PART NO.		MATERIAL	
7116-1847-02		COPPER ALLOY	
7116-1847-08		TIN PLATING	
		COPPER ALLOY	
		GOLD PLATING	
MATERIAL SPEC. (t=0.2)			
NAME RK-TYPE TERMINAL FEMALE (MAT SEAL)			
PART NO. 7116-1847-02 ETC.		CH. CODE	
DWG NO. 7116-1847-02:R		SET DWG NO.	
YAZAKI CORPORATION			
CUSTOMER PART NO.		CUSTOMER DWG NO.	
OFFICE		TRIAL PART NO.	
VENDOR		VENDOR NO.	
C02-X569		NO.	
T.H		CHKD	
02.11.04		NEW	
REVISION RECORD		GENERAL TOLERANCE	
10MAX 50MAX 100MAX 250MAX 2500V R		ANGLE	
A ±0.15 ±0.2 ±0.3 ±0.5 ±0.75 ±30'		0.1	
B ±0.2 ±0.3 ±0.55 ±0.95 ±1.4 ±30'		0.1	
C ±0.3 ±0.5 ±0.8 ±1.4 ±2 ±30'		0.15	
SPECIFIED		MASS	
		g	
DWG TYPE		DWG SOURCE	
R		NEW	
APPROVED		CHECKED	
T. HAMAI		K. WACHI	
02.11.13		02.11.05	
02.11.12		02.04.25	
		02.11.04	
		mm	
		5/1	
		3	
ISSUE MARK		DRAWN	
		DESIGN	
		T. HAMAI	
		K. WACHI	
		02.04.25	
		02.11.04	
		2	
		3	

B A