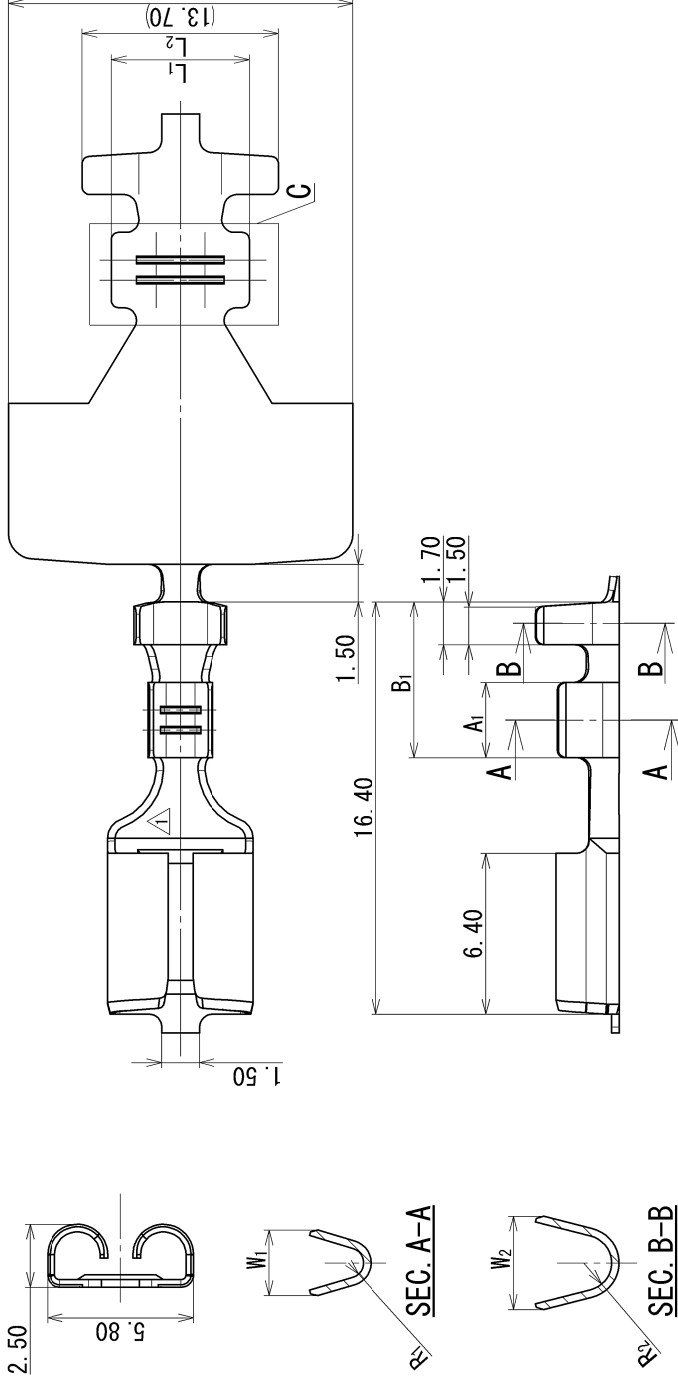


PART NO. AND CH. CODE	L ₁	R ₁	W ₁	L ₂	R ₂	W ₂	A ₁	B ₁	WIRE SIZE	MATERIAL & PLATING
7116-1685-02	5.50	0.60	2.60	7.80	1.10	3.70	3.00	6.20	△ CIVUS 0.35 ~ CIVUS 0.75 CAVS 0.30 ~ CAVS 0.85 AVS 0.30 ~ AVS 0.85	C2600 (t=0.30) TIN PLATING
7116-1686-02	8.40	1.00	3.80	10.90	1.60	5.20	4.00	7.20	△ CIVUS 1.25 CAVS 1.25 AVSS 2.00	
△ 7196-0510-02	5.30	0.60	2.60	7.00	0.95	3.70	3.00	6.20	AVS 1.25 ~ AVS 2.00 EQUIVALENT	
△ 7196-0511-02	6.80	0.70	3.14	8.50	0.70	4.20	3.00	6.20	CIVUS 0.35 ~ AVSS 0.50 EQUIVALENT	
△ 7196-0512-02	8.40	1.00	3.80	10.90	1.60	5.20	4.00	7.20	CHFUS 0.75 ~ AVSS 1.25 EQUIVALENT	



△ DETAIL C

注記

△ 1.取扱説明書No. YPES-15-219

NOTE

△ 1. HANDLING MANUAL NO. YPES-15-219

LET	DATE	REVISION RECORD	NO.	CHKD	VENDOR	OFFICE	TRIAL PART NO.	CUSTOMER PART NO.	CUSTOMER DWG NO.	MATL. SPEC.	SEE TABLE	TREAT. & FIN.	ISSUE MARK
△	2017/03/31	ADDED WIRE SIZE	C17-P075	Y. H	CUSTOMER						SEE TABLE	TREAT. & FIN.	SEE TABLE
△	2015/09/02	ADDED PART NO. ETC.	C15-Z255	J. L	CUSTOMER								
△	2000/11/23	CHANGED FORM & WIRE SIZE	C00-M544	Y. S									
△	1995/04/03	NEW	C95-L612	K. O	OFFICE								
NAME △ 4.8 TERMINAL FEMALE													
PART NO. 7116-1685-02 ETC.													
CH. CODE													
DWG NO. 7116-1685-02:R													
SET DWG NO.													
YAZAKI CORPORATION													