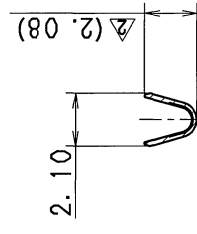
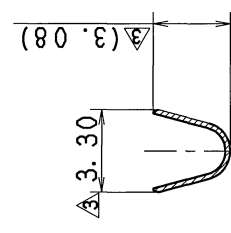
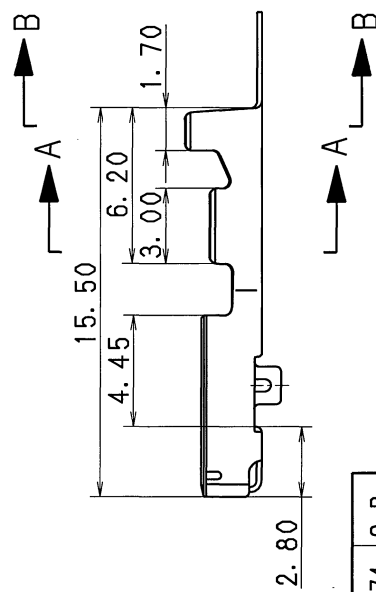
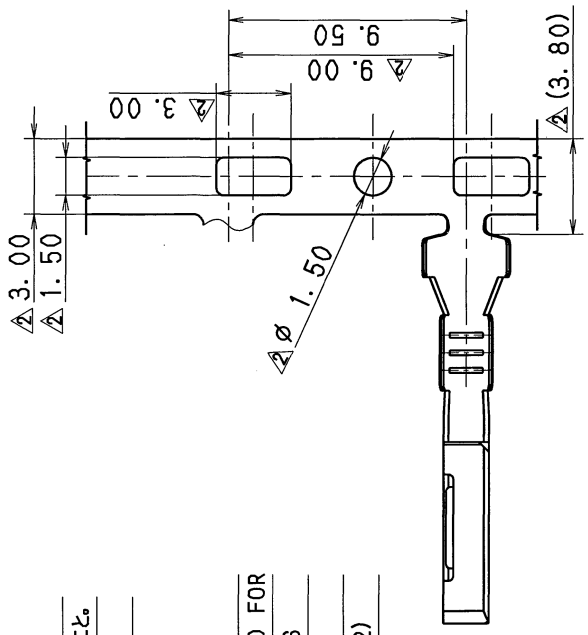


注記

- 1. 通用電線サイズ:CAVS 0.3~AVS 0.5
- 2. () 内品番は、エアバッグ(A/B)回路及び、特別管理回路に使用する場合に適用すること。
- 3. かん合相手品番:7114-1257-02 (7B14-1257-02)

NOTES

- 1. APPLICABLE WIRE SIZE:CAVS 0.3~AVS 0.5
- 2. PART NUMBERS IN PARENTHESIS SHALL BE USED FOR AIR BAG (A/B) CIRCUITS AND OTHER CIRCUITS DESIGNATED FOR SPECIAL MONITORING.
- 3. MATING PART NO.:7114-1257-02 (7B14-1257-02)



2014/02/14	CHANGED DIMENSION, ETC.	C14-Z074	Q. B
1998/08/04	ADDED DIMENSION & NOTES	C97-N445	H. K
1995/10/16	CORRECTION OF A CLERICAL ERROR	C95-6022	K. O
1992/12/16	NEW REVISION RECORD	C92-M119	M. H
LET	DATE	NO.	CHKD
GENERAL TOLERANCE			
10MAX	50MAX	100MAX	250MAX
±0.15	±0.2	±0.3	±0.5
±0.2	±0.3	±0.55	±1.4
±0.3	±0.5	±0.8	±1.4
ANGLES			
ANGLE		SCL	ANGLE
±30'		5:1	3
ECCENTRICITY			
ECCENT		DESIGN	DRAWN
0.1		WATANABE	Q. BERTEZ
0.1		M. FUKUDA	M. NAGANO
0.15		2014/02/14	2014/02/14
MASS		1988/09/08	2014/02/14
SPECIFIED		g	

CUSTOMER	CUSTOMER PART NO.	CUSTOMER DWG NO.	MATL. PHOSPHOR BRONZE SPEC. (t=0.20)	TREAT. TIN PLATING & FIN.	ISSUE MARK
OFFICE	TRIAL PART NO.	NAME	1.3 TERMINAL FEMALE		
VENDOR	VENDOR NO.	PART NO.	7116-1257-02 (7B16-1257-02)		
APPROVED	CHECKED	DESIGN	DRAWN	SET DWG NO.	
M. FUKUDA	M. NAGANO	WATANABE	Q. BERTEZ	7116-1257-02:R	
2014/02/14	2014/02/14	1988/09/08	2014/02/14	YAZAKI CORPORATION	