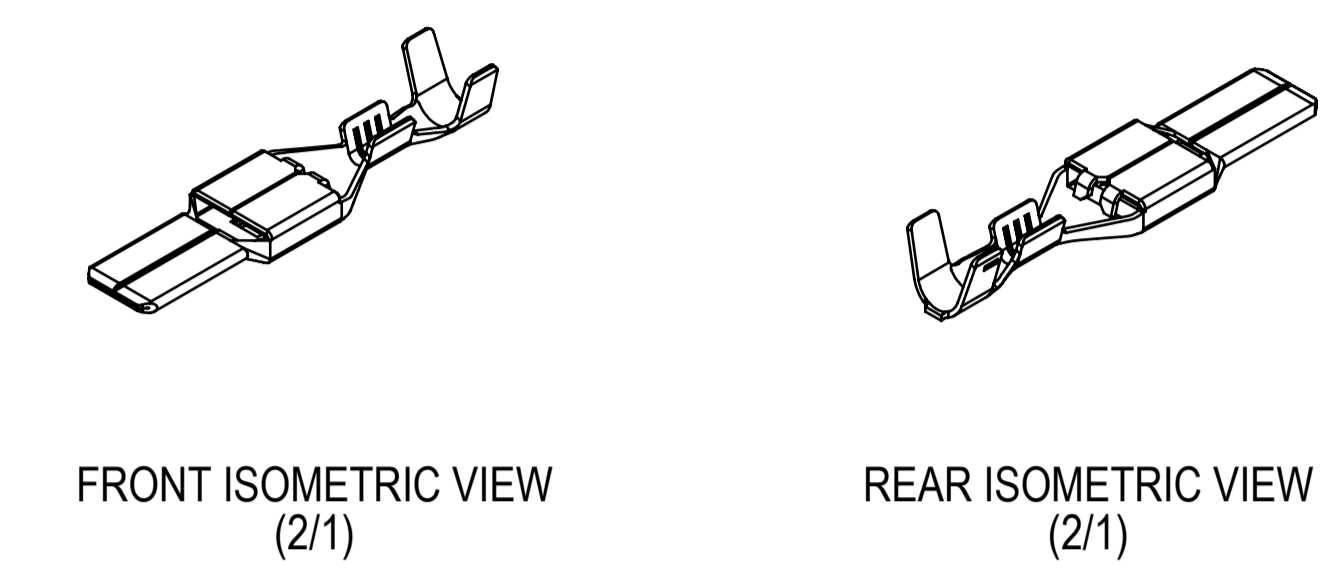
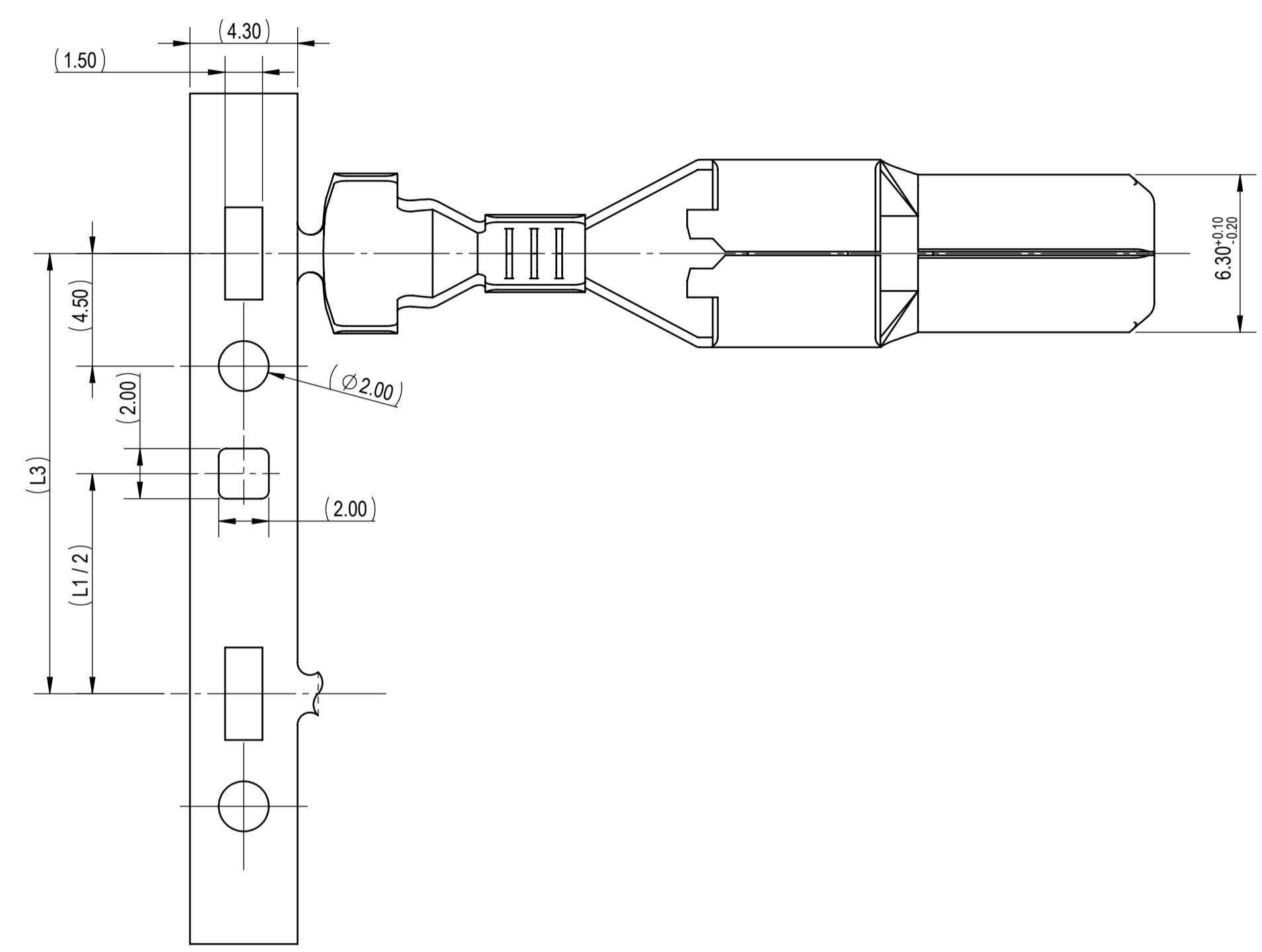
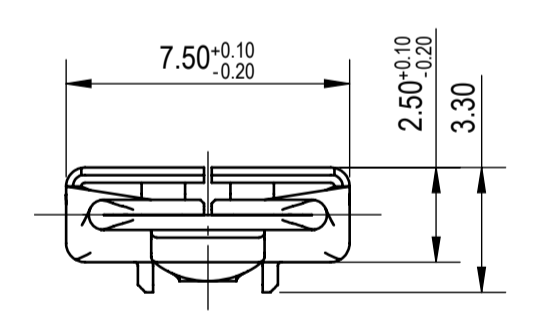
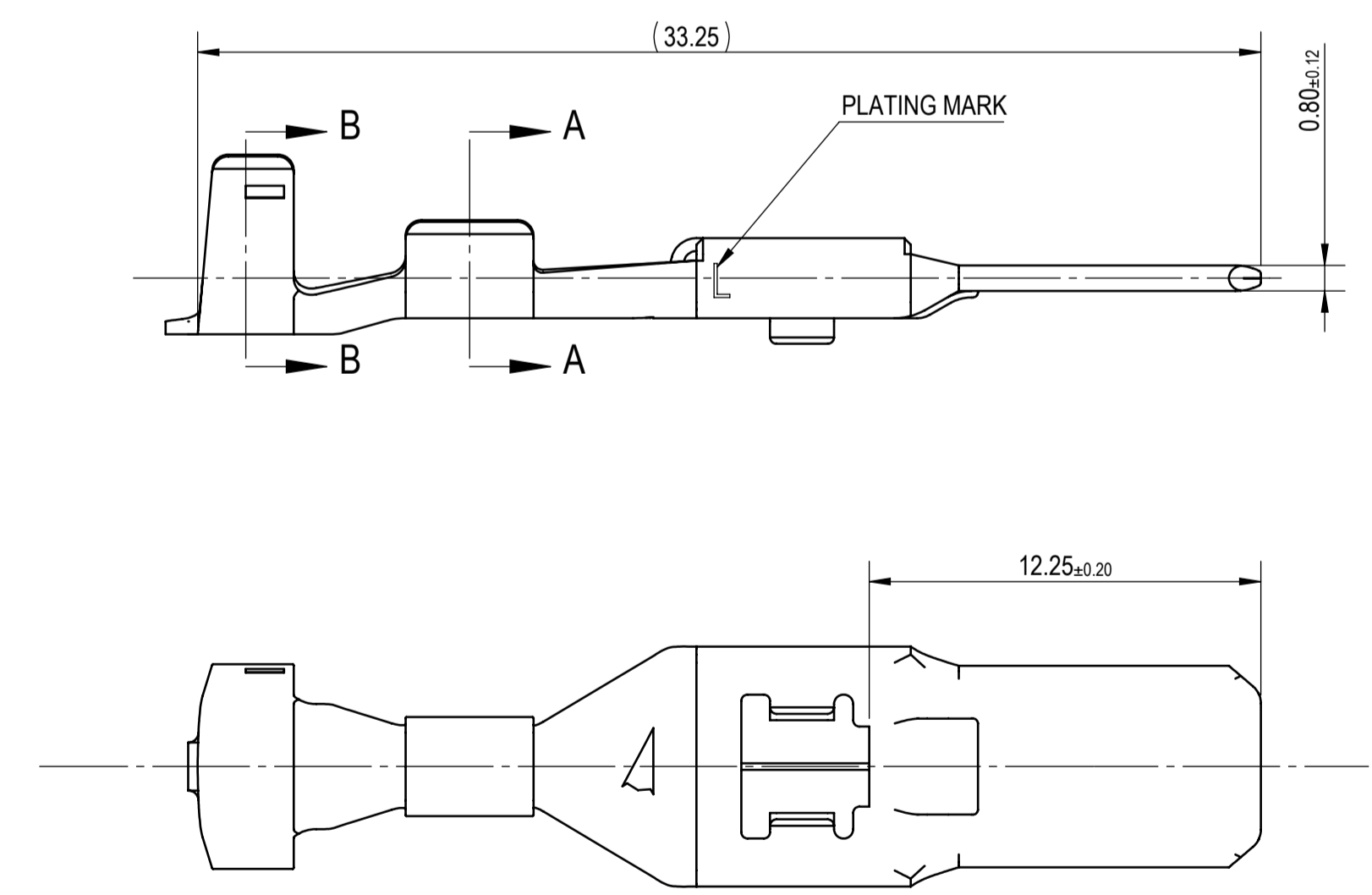
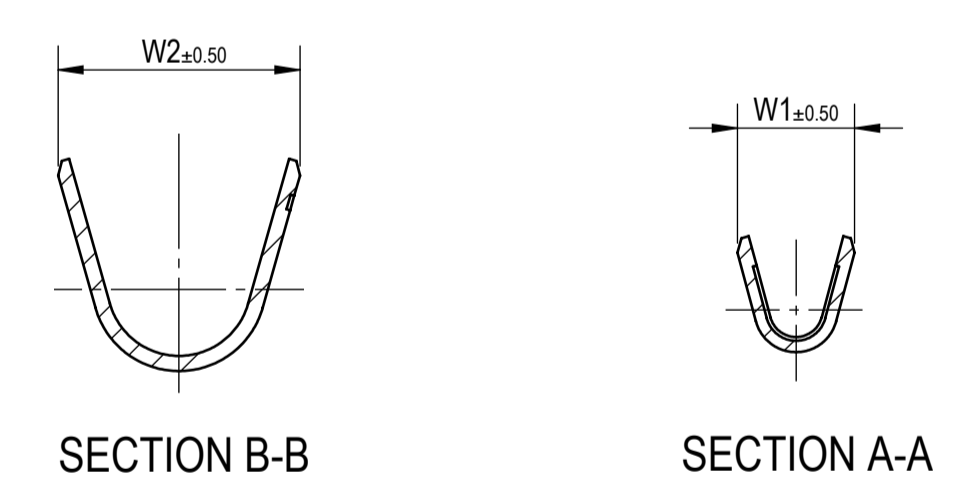


| APPLICABLE WIRE GRIP SIZE IDENTIFICATION | |
|--|-------|
| | (5/1) |
| GRIP SIZE INDICATOR | |
| 7114-4140-02 | |
| | (5/1) |
| GRIP SIZE INDICATOR | |
| 7114-4141-02 | |
| | (5/1) |
| GRIP SIZE INDICATOR | |
| 7114-4142-02 | |
| | (5/1) |
| GRIP SIZE INDICATOR | |
| 7114-4143-02, ETC. | |

| PART NUMBER | PLATING | PLATING MARK | APPLICABLE WIRE SIZE (SINGLE CRIMP) | | GRIP DIMENSIONS | | CARRIER STRIP DIMENSIONS | MASS (g) |
|--------------|---------|--------------|-------------------------------------|---------------------|-----------------|------|--------------------------|----------|
| | | | METRIC (mm ²) | INSULATION O.D (mm) | W1 | W2 | L3 | |
| 7114-4140-02 | Sn | - | 0.5 - 1.0 | 1.40 - 2.10 | 3.10 | 6.40 | 17.60 | (1.23) |
| 7114-4141-02 | Sn | - | 1.5 - 2.5 | 2.20 - 3.00 | 4.00 | 7.30 | 17.60 | (1.30) |
| 7114-4142-02 | Sn | - | 3.0 - 4.0 | 3.10 - 3.70 | 5.00 | 8.30 | 18.00 | (1.37) |
| 7114-4143-02 | Sn | - | 5.0 - 6.0 | 3.90 - 4.30 | 5.60 | 9.10 | 20.60 | (1.42) |
| 7195-2561-06 | Ag | L | 5.0 - 6.0 | 3.90 - 4.30 | 5.60 | 9.10 | 20.60 | (1.42) |



- NOTES:
- PARTS MUST BE PURCHASED FROM YAZAKI.
 - PARTS MUST BE FREE OF BURRS AND SHARP EDGES THAT MAY BE DETRIMENTAL TO SATISFACTORY ASSEMBLY, SAFE HANDLING OR FUNCTION OF THE PART.
 - MATERIAL: COPPER ALLOY
 - PLATING: SEE TABLE
 - MATING PART NUMBER: SEE 7116-4140-02-R DRAWING.
 - APPLICABLE WIRE SEAL: SEE 7158-3081-50-R AND 7158-3084-40-R DRAWINGS.
 - PART TO COMPLY WITH YPES-31-038 REQUIREMENTS.
 - THIS DRAWING IS TO BE USED FOR INTERNAL YAZAKI PSW SUBMISSION.
 - HANDLING MANUAL NUMBER: YPES-15-300.



| | | | | |
|-----|------------|---|----------|------|
| | 08-17-2023 | REDRAWN TO THE LATEST STANDARDS, UPDATED NOTES & ADDED SILVER CONFIGURATION | C23-A614 | I.B |
| - | 08-01-1996 | NEW | C96-M173 | H.K |
| LET | DATE | REVISION RECORD | NO. | CHKD |

| GENERAL TOLERANCE | | | | | | | | | | | |
|-------------------|-------|-------|-------|-------|-------|--------|---------|---------|---------|-------|--------|
| A | ±0.15 | ±0.20 | ±0.30 | ±0.50 | ±0.75 | R5 MAX | R10 MAX | R20 MAX | R20 OVR | ANGLE | ECCENT |
| B | ±0.20 | ±0.30 | ±0.55 | ±0.95 | ±1.40 | ±0.20 | ±0.30 | ±0.50 | ±2.50 | ±3° | 0.1 |
| C | ±0.30 | ±0.50 | ±0.80 | ±1.40 | ±2.00 | | | | | ±3° | 0.15 |
| SPECIFIED | | | | | | | | | | | |
| SEE TABLE | | | | | | | | | | | |

| | | | | | | |
|--------------|-------------------|------------------|--|-------------|--------------------|--------------------|
| CUSTOMER N/A | CUSTOMER PART NO. | CUSTOMER DWG NO. | MATL SPEC. | SEE NOTES | TREAT. & FIN. | SEE NOTES |
| OFFICE | YNA | TRIAL PART NO. | NAME 6.3mm SYSTEM SEALED MALE TERMINAL | | | |
| VENDOR | | | | | | |
| VENDOR NO. | | | | | | |
| DWG TYPE | DWG SOURCE | DWG DATE | UNIT | SCL | ANGLE | PART NO. CH. CODE |
| R | 7114-4140-02.M | 08-01-1996 | mm | 5/1 | 3 | 7114-4140-02, ETC. |
| APPROVED | CHECKED | CHECKED | DESIGN | DRAWN | DWG NO. | 7114-4140-02-R |
| | | | IWAHORI | ISABEL BACA | SET DWG NO. | (1/1) |
| | | | 03-20-1996 | 08-17-2023 | YAZAKI CORPORATION | |