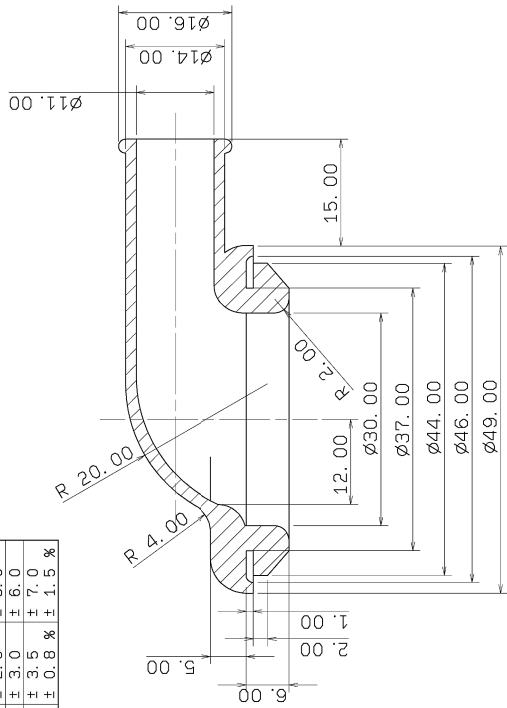
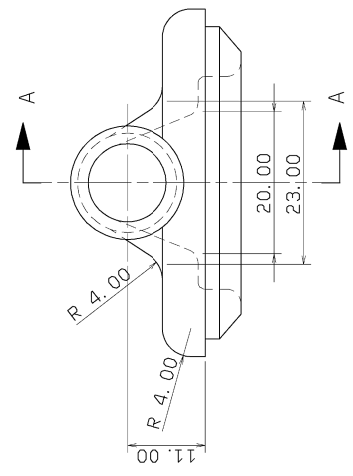


5	4	3	2	1
YAZAKI NO.	MATL.			
7035-7443	EPDM R410(BLACK)			
7035-7447	EPDM R510(BLACK)			

RUBBER PART GENERAL TOLERANCE	
PART DIM.	1
0 TO 3	± 0.2 ± 0.3 ± 0.4
3 TO 6	± 0.2 ± 0.4 ± 0.5
6 TO 10	± 0.3 ± 0.5 ± 0.6
10 TO 18	± 0.3 ± 0.6 ± 0.8
18 TO 30	± 0.4 ± 0.8 ± 1.0
30 TO 50	± 0.5 ± 1.0 ± 1.5
50 TO 80	± 0.6 ± 1.2 ± 2.0
80 TO 120	± 0.7 ± 1.4 ± 2.5
120 TO 180	± 0.8 ± 1.6 ± 3.0
180 TO 250	± 1.0 ± 2.0 ± 4.0
250 TO 315	± 1.2 ± 2.5 ± 5.0
315 TO 400	± 1.5 ± 3.0 ± 6.0
400 TO 500	± 1.8 ± 3.5 ± 7.0
500 OVER	± 0.4 % ± 0.8 % ± 1.5 %



SEC. A-A

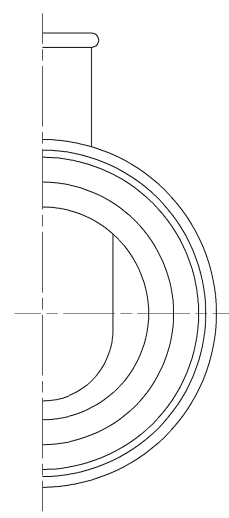


NOTE

1) MATING PANEL DIMENSIONS: $\phi 37$, $t=1.0$

注記

1) 嵌合パネル寸法: $\phi 37$, $t=1.0$



CUSTOMER	CUSTOMER PART NO.	CUSTOMER DWG NO.	MATL. SPEC.	SEE TABLE	TREAT. & FIN.	ISSUE MARK
OFFICE	NAGOYA	TRIAL PART NO.	NAME	GROMMET		
VENDOR						
GENERAL TOLERANCE			PART NO. Δ 7035-7443 ETC.			
A	10MAX	50MAX-100MAX	250MAX	250GVR	ANGLE	ECCENT
A	±0.15	±0.2	±0.3	±0.5	±0.75	±30°
B	±0.2	±0.3	±0.5	±1.4	±30°	±30°
C	±0.3	±0.5	±1.4	±2	±30°	±30°
SPECIFIED	MASS	17 g				
APPROVED	CHECKED	DESIGN	DRAWN	H. DOHI	DERICK	
岡崎	小村	後藤				
DATE	92.03.02	08.07.01				

LET	DATE	REVISION RECORD	NO.	CHKD
Δ	08.07.01	ADDED PART NO.	C08-3937	F. S
	92.03.02	NEW	C92-3175	D. B.