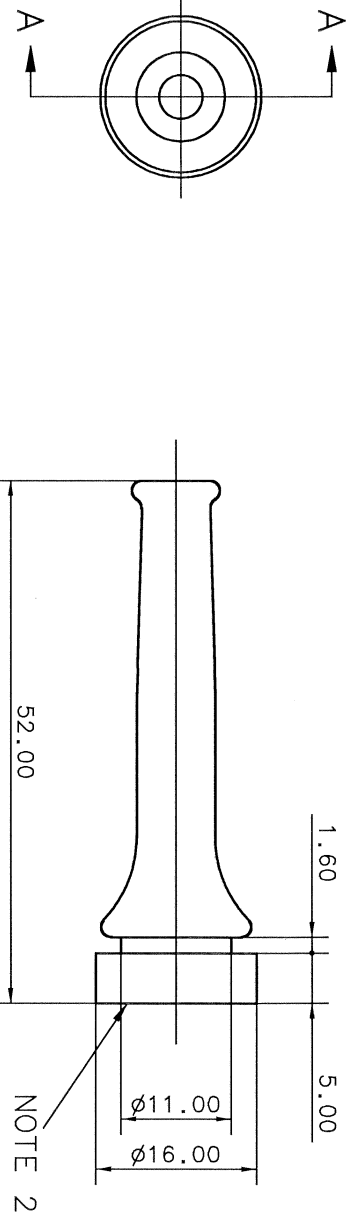
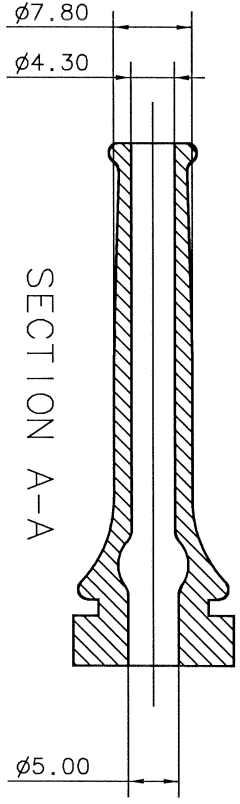


RUBBER PART GENERAL TOLERANCE			
PART DIM.	1	2	③
0 TO 3	± 0.2	± 0.3	± 0.4
3 TO 6	± 0.2	± 0.4	± 0.5
6 TO 10	± 0.3	± 0.5	± 0.6
10 TO 18	± 0.3	± 0.6	± 0.8
18 TO 30	± 0.4	± 0.8	± 1.0
30 TO 50	± 0.5	± 1.0	± 1.5
50 TO 80	± 0.6	± 1.2	± 2.0
80 TO 120	± 0.7	± 1.4	± 2.5
120 TO 180	± 0.8	± 1.6	± 3.0
180 TO 250	± 1.0	± 2.0	± 4.0
250 TO 315	± 1.2	± 2.5	± 5.0
315 TO 400	± 1.5	± 3.0	± 6.0
400 TO 500	± 1.8	± 3.5	± 7.0
500 OVER	± 0.4%	± 0.8%	± 1.5%

NOTES  
 1. MATERIAL: CR - SAE J200 M2BES14, A14, C12, C20, E014, E034, F17, Z1, Z2  
 Z1: ELONGATION 500% MINIMUM  
 Z2: OZONE RESISTANCE ACC. TO FLTM BP-153-1 PROCEDURE A  
 EXCEPT TO BE TESTED AT 100% ELONGATION  
 2. FORD PART NO., FORD MARK, YAZAKI PART NO., YAZAKI MARK, MATERIAL MARK > CR < AND CAVITY NO. ARE LOCATED ON SPECIFIED SURFACE



LET		04.MAY.2005	NEW	COS-E017	J.K.	CHKD	CUSTOMER JAGUAR CARS LTD.	CUSTOMER PART NO.	1S7T-14603-BA	CUSTOMER DWG NO.		
DATE		04.MAY.2005	REVISION LEVEL	NEW	OFFICE	YEL-BL	VENDOR	TRIAL PART NO.				
GENERAL TOLERANCE		GENERAL TOLERANCE										
10 MAX	50 MAX	100 MAX	250 MAX	250 OVR	ANGLE	ECCENT	DWG TYPE	DWG SOURCE	DWG DATE	UNIT	SCL	ANGLE
A ±0.15	±0.2	±0.3	±0.5	±0.75	±30°	0.1	R	NEW	04.MAY.2005	mm	2/1	3
B ±0.2	±0.3	±0.55	±0.95	±1.4	±30°	0.1	APPROVED	CHECKED	CHECKED	J. KLEINER	J. KLEINER	
C ±0.3	±0.5	±0.8	±1.4	±2	±30°	0.15						
SPECIFIED RUBBER PART TOLERANCE CLASS-3		RUBBER PART GENERAL		MASS		PART NO. 7035-2504						
						CH. CODE 7035-2504:R						
						SET DWG NO.						
						YAZAKI CORPORATION						

CUSTOMER JAGUAR CARS LTD. CUSTOMER PART NO. 1S7T-14603-BA CUSTOMER DWG NO. 1  
 VENDOR TRIAL PART NO. 2  
 MATERIAL: SEE NOTES TREAT. & FIN. ISSUE MARK  
 NAME: ABS WHEELSPEED SENSOR GROMMET  
 PART NO. 7035-2504  
 CH. CODE 7035-2504:R  
 SET DWG NO.  
 YAZAKI CORPORATION 3