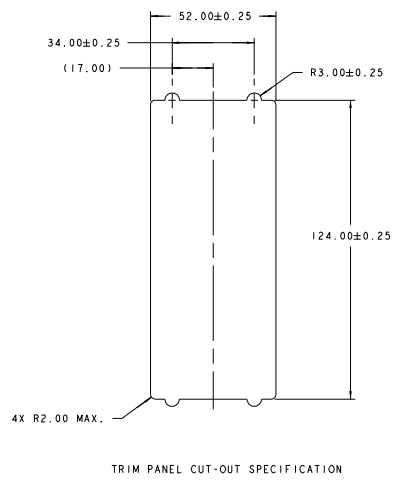


A	B	C	D
TERMINAL NAME			
A	LOCAL POWER WINDOW UP		
B	LOCAL POWER WINDOW DOWN		
C	LOCAL POWER UNLOCK		
D	LOCAL POWER LOCK		

D	C	B	A
TERMINAL NAME			
A	ADDRESS INPUT 2		
B	ADDRESS INPUT 1		
C	J1708 (-)		
D	J1708 (+)		
E	GROUND		
G	VBATT		



- 1. SPECIFICATIONS**
- 1.1 NOMINAL VOLTAGE: +14.5 VDC
 - 1.2 OPERATING VOLTAGE: +9 - +18
 - 1.3 MAXIMUM POWER CONSUMPTION: 7 WATTS @ +14.5 VDC
 - 1.4 QUIESCENT CURRENT: 1mA
 - 1.5 OPERATING TEMPERATURE RANGE: -40° - +85°C
 - 1.6 STORAGE TEMPERATURE RANGE: -40° - +85°C
 - 1.7 OPERATING LIFE: 100,000 CYCLES @ 14.5 ± 0.5 VDC
 - 1.8 SWITCH MODULE MUST MEET INTERNATIONAL SPECIFICATION: EEF-P3-183
 - 1.9 MOUNTING PANEL THICKNESS SHALL BE 2.5 ± 0.25

- 2. FUNCTIONAL SPECIFICATIONS**
- 2.1 LOCK/UNLOCK SWITCH
 - 2.1.1 DEPRESSING THE LOCK OR UNLOCK SWITCH SHALL LOCK OR UNLOCK ALL DOORS.
 - 2.1.2 IF LOCK AND UNLOCK SWITCHES ARE DEPRESSED SIMULTANEOUSLY, NO ACTION SHALL OCCUR
 - 2.2 WINDOW UP/DOWN SWITCHES
 - 2.2.1 DEPRESSING THE WINDOW DOWN SWITCH FOR LESS THAN 0.5 SECONDS SHALL INITIATE EXPRESS DOWN MODE. DEPRESSING THE WINDOW UP OR DOWN SWITCH DURING EXPRESS DOWN SHALL TERMINATE THE EXPRESS DOWN ACTION.
 - 2.2.2 IF WINDOW UP AND DOWN SWITCHES ARE DEPRESSED SIMULTANEOUSLY, NO ACTION SHALL OCCUR.
 - 2.3 WINDOW LOCK SWITCH
 - 2.3.1 DEPRESSING THE WINDOW LOCK SWITCH SHALL TOGGLE BETWEEN ON AND OFF. LED INDICATOR SHALL REFLECT CURRENT STATE.

2.4 FUNCTION LOGIC TABLE

INPUT	LOAD CONNECTOR OUTPUT (TERMINAL)			
	(A) LOCAL POWER WINDOW UP	(B) LOCAL POWER WINDOW DOWN	(C) LOCAL POWER UNLOCK	(D) LOCAL POWER LOCK
LOCAL WINDOW UP	1	0	0	0
LOCAL WINDOW DOWN	0	1	0	0
LOCAL UNLOCK	0	0	1	0
LOCAL LOCK	0	0	0	1

1 = VBATT
0 = GROUND

©2013 YAZAKI NORTH AMERICA, INC. ALL INFORMATION ON THIS DRAWING IS THE PROPRIETARY AND CONFIDENTIAL PROPERTY OF YNA. AND SHALL NOT BE DISCLOSED, DUPLICATED OR DISTRIBUTED WITHOUT THE EXPRESS WRITTEN CONSENT OF YNA. ALL RIGHTS RESERVED.

SOFTWARE RELEASE TABLE

SOFTWARE REV	DATE	DESCRIPTION
PROD_REL_8.3	10/21/13	CORRECTED SOFTWARE TO PREVENT LOCKUP AT TRANSITION TO SLEEP MODE

- NOTES:**
1. THIS DRAWING AND CAD DATA MAINTAINED BY YAZAKI NORTH AMERICA
 2. NO MANUAL CHANGES TO THIS DRAWING ALLOWED
 3. THIS DRAWING DIMENSIONED IN ACCORDANCE WITH ASME Y14.5M-1994

REV	DATE	REVISION RECORD	NO.	CHKD
-	2/25/14	NEW	C14-A137	TK

GENERAL TOLERANCE		DWG TYPE		DWG SOURCE		DWG DATE		UNIT		SCL		ANGLE		PART NO.		SET DWG NO.							
(A)	±0.15	(B)	±0.2	(C)	±0.3	(D)	±0.5	(E)	±0.75	(F)	±30°	(G)	0.1	R	NEW	04/24/14	mm	1:1	3	3817900-640	3817900-640	2	OF: 1
APPROVED: B.SCHWEITZER V.SALINAS K.MIKAMI P.MORALES O.ORTIZ CHECKED: V.SALINAS K.MIKAMI P.MORALES O.ORTIZ DATE: 04/25/14 04/24/14 04/24/14 04/24/14																							

